

KENWOOD

POWER AMPLIFIER

KAC-626

KAC-606

INSTRUCTION MANUAL

KENWOOD CORPORATION

© B64-0775-00 (K) (MC)

Take the time to read through this instruction manual.

Familiarity with installation and operation procedures will help you obtain the best performance from your new power amplifier.

For your records

Record the serial number, found on the back of the unit, in the spaces designated on the warranty card, and in the space provided below. Refer to the model and serial numbers whenever you call upon your KENWOOD dealer for information or service on the product.

Model KAC-626/606 Serial number _____

Safety precautions

▲WARNING

Take the following precautions to prevent fire and avoid personal injury :

- When extending the battery cable, or ground cable, use 3mm² (AWG12) or larger automotive grade cable to avoid cable deterioration or damage to the covering.
- Check that no metal objects (coins, tools, etc.) are left inside the unit to avoid short circuits.
- If you smell or see smoke, turn the power off immediately and consult your Kenwood dealer.
- Do not touch the unit during use because the surface of the unit becomes hot and may cause burns if touched.

▲CAUTION

Take the following precautions to keep the unit in proper working order.

- Be sure the unit is connected to a 12V DC power supply with a negative ground connection.
- Do not open the top or bottom cover.
- Do not install the unit in places it is exposed to direct sunlight, high heat or humidity, water may splash over it, or dust exists.

NOTE

- If you have difficulty in installing this unit in your vehicle, contact your Kenwood dealer.

Cleaning the unit

- If the surface is dirty, wipe it clean with a silicon cloth or soft dry cloth with the power off.



▲CAUTION

Do not use hard cloths or paint thinner, alcohol, or other volatile solvents. These may damage external surfaces or remove indicator characters.

FCC WARNING

- This equipment may generate or use radio frequency energy. Changes or modifications to this equipment may cause harmful interference unless the modifications are expressly approved in the instruction manual. The user could lose the authority to operate this equipment if an unauthorized change or modification is made.

Accessories

Part name	External View	Number of Items
Self-tapping screws (ø4 × 16mm)		4
Terminal cover (Power terminal)		1

Controls

Operations of the following control and switches are required in accordance with the center unit and speakers connected with this unit.

① RCA CABLE GROUND LEAD terminal

② FILTER switch

These switches allow filtering of the speaker output signals.

- **HPF (High Pass Filter) position (KAC-626 only)**

Only frequencies of 150 Hz or higher are output. (Frequencies below 150 Hz are cut.)

- **LPF (Low Pass Filter) position**

Only frequencies of 80 Hz or lower are output. (Frequencies above 80 Hz are cut.)

- **OFF position**

The original sound without filtering is output.

③ OPERATION switch

This switch allows to select the amplification method of input signals.

- **STEREO position**

The input left and right signals are amplified separately. Use this position when the unit is as a stereo amplifier.

- **L+R position (KAC-626 only)**

The input left and right signals are combined before being amplified. Use this position when the unit is used for subwoofer speakers or the L+R (monaural) sound is required.

- **MONO (Lch) position**

Amplifies the signal input from the left side only. Set to this position and make bridged connections to use as a high-power monaural amplifier. (The input right signal is not output.)

④ INPUT SENSITIVITY control

Set this control according to the pre-output level of the center unit connected with this unit, or to the maximum power output of the genuine-accessory car stereo.

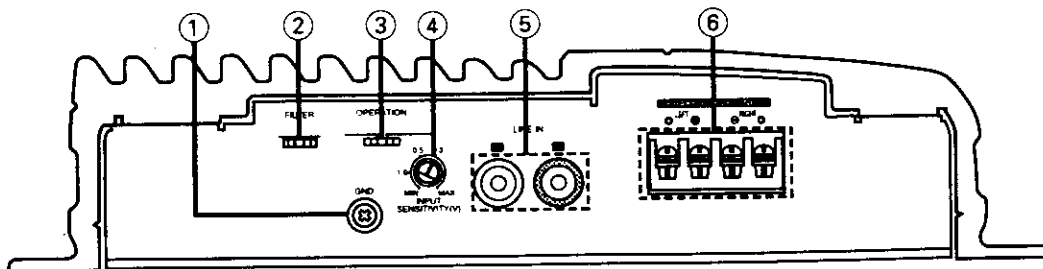
NOTE

For the pre-output level or the maximum power output, refer to the "Specifications" in the instruction manual of the center unit.

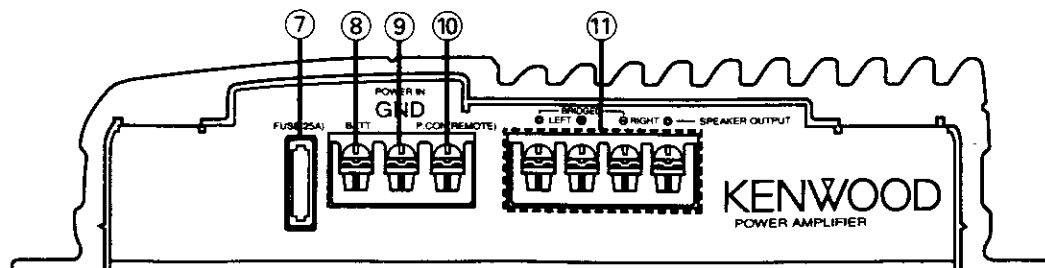
Maximum power output of genuine-accessory car stereo.	Center unit preout level	Amplifier input sensitivity
10 W	300 mV	MAX (0.15 V)
	800~1000 mV	0.3 V
15 W	1.5 V	0.5 V
25 W	2~4 V	1.0 V~MIN

⑤ LINE IN terminal

⑥ SPEAKER LEVEL INPUT terminal



- ⑦ FUSE (25 A)
- ⑧ BATTERY terminal
- ⑨ GROUND terminal
- ⑩ POWER CONTROL (REMOTE) LEAD terminal
- ⑪ SPEAKER OUTPUT terminals



Protection function

POWER INDICATOR

When the power is turned on, the Power indicator lights.

If the Power indicator does not light when the power is turned on, the protection function may be activated.

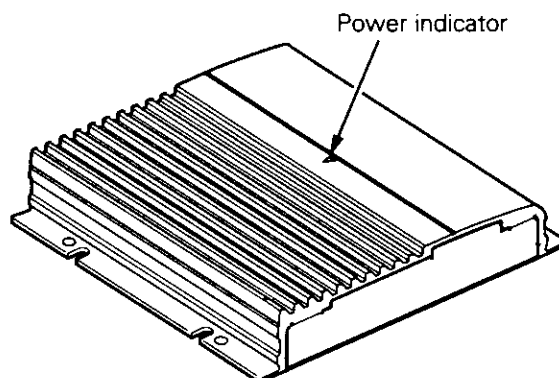
Check whether there is any indication of trouble.

This unit is equipped with a protection function for protecting this unit and your speakers from various accidents or problems that can occur.

When the protection function is triggered, the Power indicator goes off and the amplifier stops operating.

The protection function activates in the following situations:

- When a speaker output contacts ground.
- When the unit malfunctions and a DC signal is sent to the speaker output.
- When the temperature of internal parts exceeds 120°C (248°F).
- When a ground cable of the center unit (cassette receiver, CD receiver, etc.) or this unit is not connected to a metal part serving as an electrical ground passing electricity to the battery's negative ⊖ terminal.



Installation procedure

1. Remove the ignition key and disconnect the negative \ominus terminal of the battery to prevent short circuits.
2. Connect the input and output cables of the units.
3. Connect the speaker cables.
4. Connect the ground cable and battery cable in the order listed.
5. Install the unit in the car.
6. Connect the negative \ominus terminal of the battery.

▲CAUTION

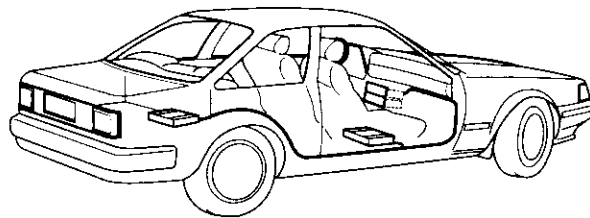
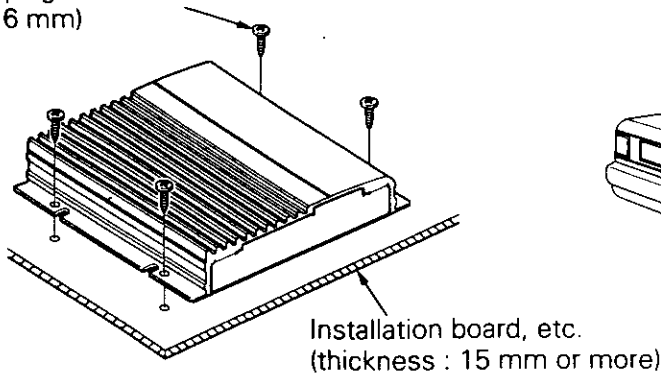
- If the fuse blows, check cables for shorts, then replace the fuse with one of the same rating.
- Check that no unconnected cables or connectors are touching the car body. Do not remove caps from unconnected cables or connectors to prevent short circuits.
- Connect the speaker cables to appropriate speaker connectors separately. Sharing the negative cable of the speaker or grounding speaker cables to the metal body of the car can cause this unit to fail.
- After installation, check that the brake lamps, wipers, and wipers work properly.

Installation

▲CAUTION

Do not install the unit under the carpet. Otherwise heat build-up occurs and the unit may be damaged.

Self-tapping screw
($\varnothing 4 \times 16$ mm)



- Since the power amplifier has no parts which require operation, it can be installed at a position away from the driver's seat without any hindrances.
As generally accepted positions for its installation, places such as inside the trunk, etc. can be considered.

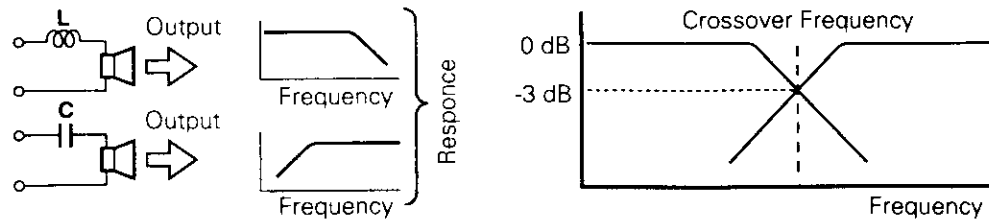
▲CAUTION

- Install this unit in a location which allows heat to easily dissipate.
Once installed, do not place any object on top of the unit.
- After installing the unit, check to make sure that electrical equipment such as the brake lamps, turn signal lamps and windshield wipers operate normally.
- Install the unit securely in a location that does not interfere with driving.

With the KAC-626/606, a subwoofer can be added easily to the speaker system by making use of the properties of coils and capacitors. This mode of operation is called Tri-mode.

■ Principle of Tri-mode

● Method of frequency band division using a coil and capacitor ...in case of 6dB/oct. slope



- Coil (L): Passes low frequencies and blocks high frequencies. (Low pass)
- Capacitor (C): Passes high frequencies and blocks low frequencies. (High pass)

● Your coil and capacitor

Use the following formula to identify the coil and capacitor you need in your system.

$$C = \frac{159000}{f_c \times R} \text{ (}\mu\text{F)}$$

f_c = Cut of Frequency (Hz)

$$L = \frac{159 \times R}{f_c} \text{ (mH)}$$

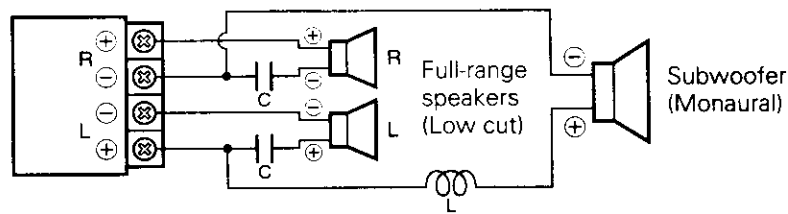
R = Speaker Impedance (Ω)

Example: When it is required to set a crossover frequency of 120 Hz using speakers with an impedance of 4 ohms.

Prepare commercially-available coil and capacitor with the closest ratings to the results calculated from the formula above. The capacitor rating should be as close as possible to 331.25 (μ F) and the coil rating should be as close as possible to 5.3 (mH).

■ System example

To use the Tri-mode configuration, set the OPERATION switch to the STEREO position.



▲ CAUTION

If you wish to bridge-connect a speaker, such as a subwoofer, as shown above, the speaker impedance must be no less than 4 ohms.

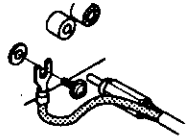
Connecting a speaker with an impedance lower than 4 ohms may damage the unit.

Connection

System connection

RCA cable ground lead terminal

When using an RCA cable with a ground lead attached, connect the ground lead to this terminal.



CAUTION

Do not use this terminal for power source grounding. This unit will be damaged if the power source grounding wire is connected to this terminal.

CAUTION

Do not connect cables and leads to both RCA cable input jacks and the speaker input terminals simultaneously, for this may cause malfunction or damage.

Left output (White)

Right output (Red)

CENTER UNIT
(Cassette receiver,
Graphic equalizer etc.)

Power control lead
(Commercially
available part)

Battery terminal
Ground terminal
Power control terminal

Right speaker

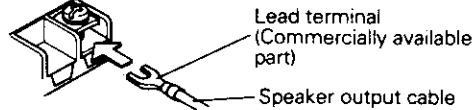
Left speaker

Terminal cover

Speaker output terminal

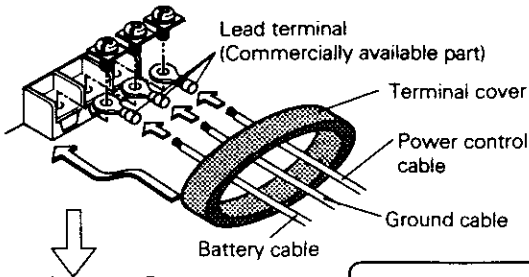
Connect the speaker output cables to these terminals.

Speaker terminal polarity			
L+	L-	R-	R+



Power terminal

Pass battery and ground cables through supplied terminal cover and connect to respective terminals. After completing connections, fasten terminal cover over terminal bracket.



If a buzzing noise is heard from the speakers when the engine is running, connect a line noise filter (optional) to each of the battery cable.

WARNING

To prevent fire caused by a short in the wiring, connect a fusible link or breaker nearby the battery's positive terminal.

NOTE

Connect the ground cable to a metal part of the car chassis that acts as an electrical ground passing electricity to the battery's negative \ominus terminal. Do not turn the power on if the ground cable is not connected.